

phonix series SX

- on wall surround speaker
- 15 degree angled baffle
- compact design
- grille and keyhook mount included

The Phonix loudspeaker offers high power handling and high sensitivity with low frequency extension down to 45Hz. The enclosure is braced and critically damped.

The high frequency drive unit is a specially damped, high power, 26mm doped fabric dome tweeter delivering a high frequency response that is exceptionally smooth and well controlled setting a new bench mark for surround loudspeaker reproduction.

The single 165mm (6½") bass driver has a 33mm (1¼") voice coil wound on high powered aluminium former, with ventilated spider and aluminium flux stabilization ring for low distortion. Likewise, the polypropylene cone and surround of the bass driver has also been developed to provide the smoothest possible response and a dynamic and non-fatiguing vocal mid-band.

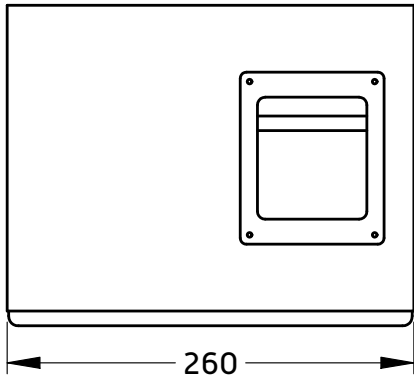
The crossover network has been designed and built using close tolerance, professional grade components, perfectly blending the output from the two drive units. Matching the acoustic phase of both units through the crossover region ensures the widest possible coverage.

Please consult your dealer for complementary speaker recommendations.

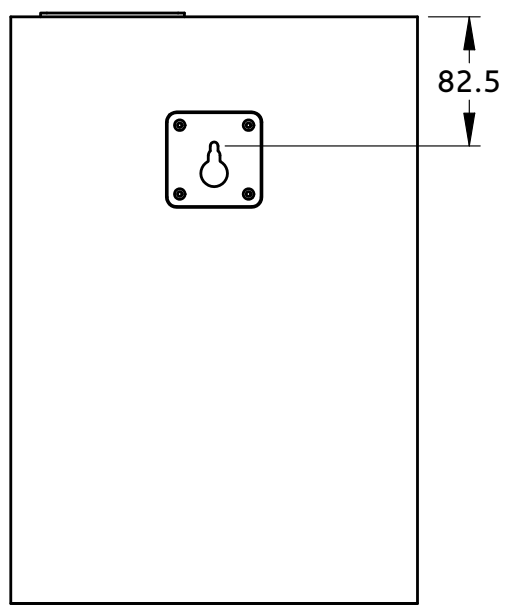


specifications phonix v2

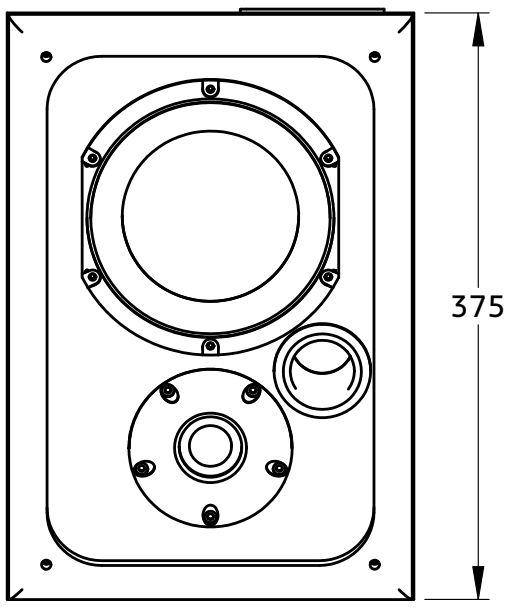
Frequency Range	45Hz - 20kHz (-10dB)
Power Handling	50 - 150 Watts RMS recommended amplifier power
Sensitivity	88dB SPL - 2.83V at 1m
Impedance	8 Ohms
Configuration	6½" inch 2-way
Crossover Point	1.8kHz
Bass Driver(s)	Single 165mm (6½") paper cone driver. 33mm (1¼") voice coil wound on high powered kapton former, with ventilated magnet assembly and copper shorting ring for low distortion
High Frequency Driver	26mm (1") doped fabric dome with large roll surround. Ferro fluid cooled
Enclosure Type	Bass reflex, front vented
Dimensions	375mm high x 260mm wide x 205mm deep at the top (109mm deep at the bottom)
Weight	7kg



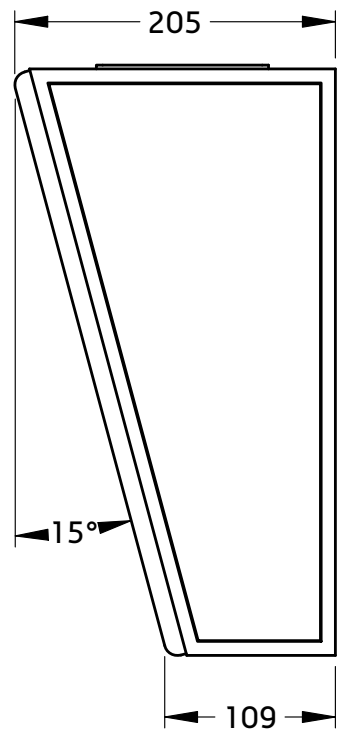
top view



back view



front view



side view