

megaphonix flat series SX

- on wall main and surround speaker
- precise pattern control
- high sensitivity, very low distortion
- grille and keyhook mounts included

The Megaphonix Flat loudspeaker offers high power handling and high sensitivity with low frequency extension down to 40Hz. The enclosure is braced and critically damped.

The high frequency drive unit is a specially damped, high power, 26mm doped fabric dome tweeter. Coupled with a proprietary Krix waveguide, the optimum dispersion of 90 degrees horizontal and 40 degrees vertical is consistently maintained over the entire working bandwidth. The combined high frequency response is exceptionally smooth and well controlled, setting a new benchmark for loudspeaker reproduction.

The single 255mm (10") bass driver has a 50mm (2") voice coil and has been developed to offer low harmonic distortion, especially in the critical midband. The paper cone and surround of the bass driver have been developed to provide the smoothest possible response.

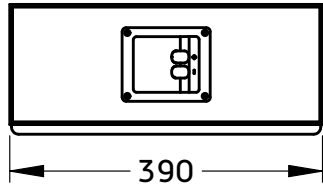
The crossover network has been designed and built using close tolerance, professional grade components, perfectly blending the output from the two drive units. Matching the acoustic phase of both units through the crossover region ensures the widest possible coverage.

Please consult your dealer for complementary speaker recommendations.

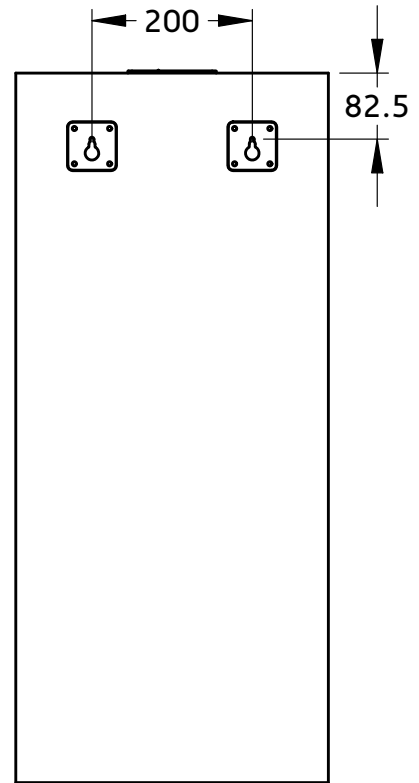
specifications megaphonix flat v2

Frequency Range	40Hz - 20kHz (-10dB)
Power Handling	50 - 250 Watts RMS recommended amplifier power
Sensitivity	95dB SPL - 2.83V at 1m
Impedance	8 Ohms
Configuration	10 inch 2-way
Crossover Point	1.8kHz
Bass Driver(s)	Single 255mm (10") paper cone driver. 50mm (2") voice coil wound on high powered kapton former, with ventilated magnet assembly and copper shorting ring for low distortion
High Frequency Driver	26mm (1") doped fabric dome with large roll surround. Ferro fluid cooled. Coupled to a Krix designed 90 x 40 short throw waveguide
Enclosure Type	Bass reflex, front vented
Dimensions	885mm high x 390mm wide x 162mm deep
Weight	15kg

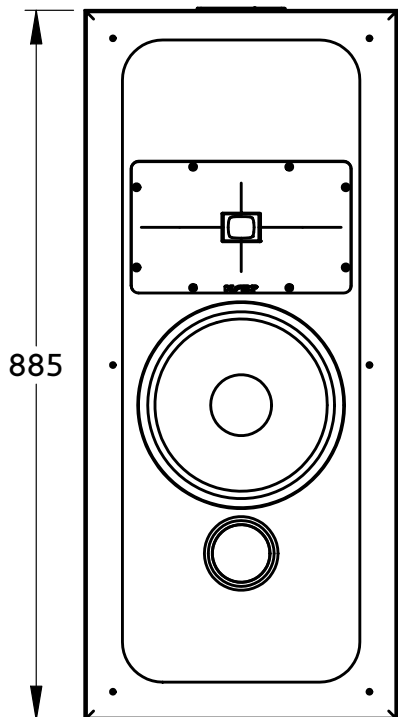




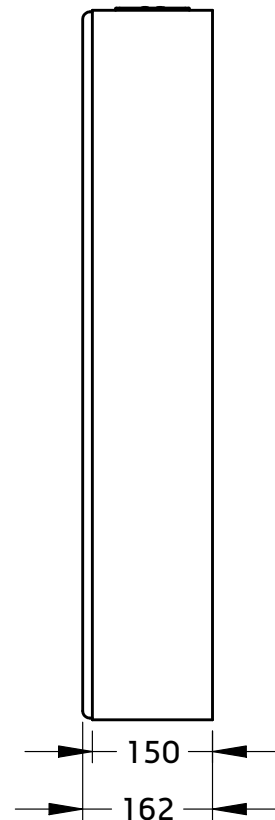
top view



rear view



front view



side view