

epix concealed audio

- in-wall speaker
- fits inside 90mm wall cavity
- discreet form, extreme sound
- fully enclosed backbox

The Epix In-Wall speaker has been developed to suit 45mm x 90mm or 35mm x 90mm timber stud wall construction.

A modified version of the award winning Neuphonix / Epicentrix floor stander and centre channel combination - the Krix Epix combines high level performance with discreet install appeal.

Extended high frequency performance, dynamic midrange and deep bass extension are all attributes of this special in-wall design. Complete with mounting hardware, plasterboard edging and a solidly braced back enclosure - the Epix is the complete in-wall speaker for discerning listeners.

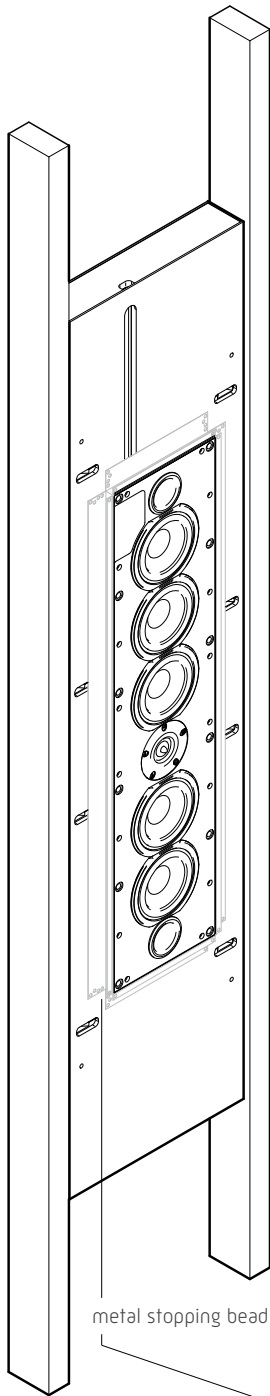
The fully enclosed back-box ensures that no matter where the Epix are installed - acoustic integrity will be maintained. The rear enclosure also stops rear sound radiation from the drivers being transferred to adjoining rooms.

The Epix can be used in dedicated home cinema rooms or multi-functional living environments.



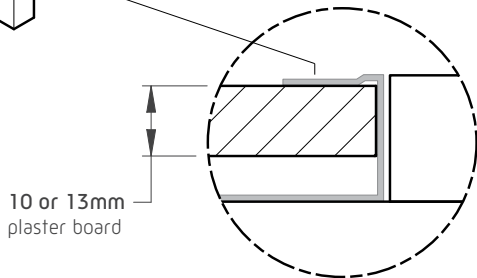
specifications epix

Frequency Range	40Hz - 40kHz (in room response)
Power Handling	40 - 300 Watts RMS recommended amplifier power
Sensitivity	90dB SPL - 2.83V at 1m
Impedance	Nominal 6 Ohms (Minimum 4.3 Ohms)
Configuration	3-way
Bass Driver	4 x nominal 130mm (5") coated paper cones. 26mm (1") voice coil wound on high powered aluminium former
Mid Range Driver	1 x nominal 130mm (5") coated paper cone. 26mm (1") voice coil. Copper shorting ring and oversized magnets
High Frequency Driver	26mm (1") dual concentric diaphragm with wave-guide centre plug for controlled directivity
Enclosure Type	Bass Reflex
Vent Location	Front
Dimensions	Back Box - 1700mm high x 390mm wide x 80mm deep Front Baffle - 962mm high x 225mm wide 18mm deep
Weight	27kg
Finish	Enclosure and front baffle finished in black vinyl. Black grille cloth as standard, colour customisation upon request. Available in two formats, Epix-M for vertical use and Epix-C for horizontal use

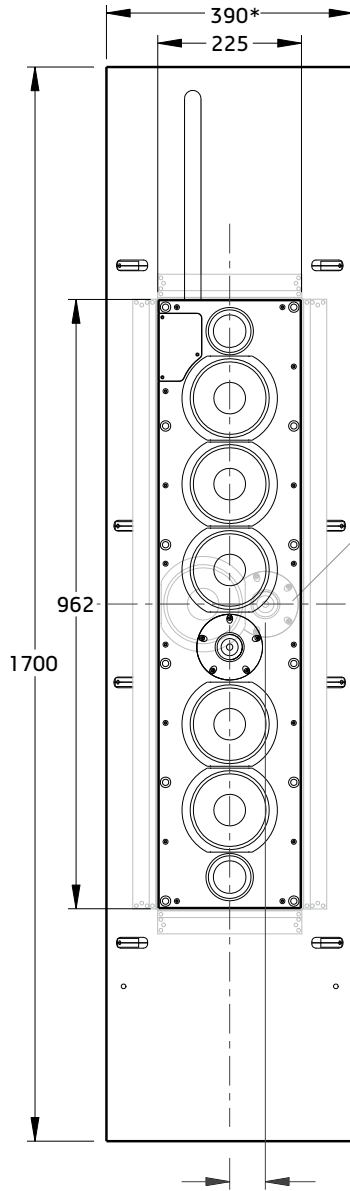
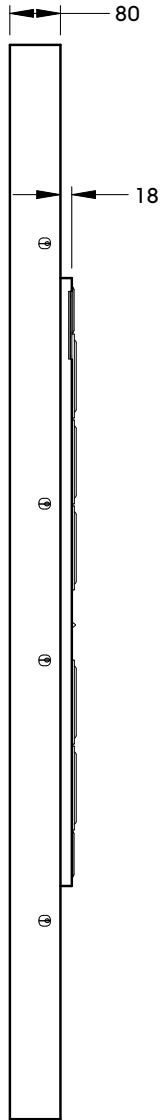


metal stopping bead

DETAIL A



10 or 13mm
plaster board



Epix C - for horizontal use

70

Epix M
for vertical use

plaster board



*Do not build studwork with 390mm spacing. The enclosures have been optimised for use with 450mm stud centers (see page 2). This will result in a 5-20mm gap between the speaker and the stud, which helps to reduce transmission of vibrations between the loudspeaker and the studwork.

**binding post hole size \varnothing 4.5mm
maximum wire gauge 10AWG**