

## dramatix series SX

---

- in wall main and surround speaker
- powder coated steel front panel
- high sensitivity, very low distortion
- precise pattern control

The Dramatix loudspeaker offers high power handling and high sensitivity with low frequency extension down to 40Hz. The enclosure is braced and critically damped.

The high frequency drive unit is a specially damped, high power, 26mm doped fabric dome tweeter. Coupled with a proprietary Krix waveguide, the optimum dispersion of 90 degrees horizontal and 40 degrees vertical is consistently maintained over the entire working bandwidth. The combined high frequency response is exceptionally smooth and well controlled, setting a new benchmark for loudspeaker reproduction.

The single 255mm (10") bass driver has a 50mm (2") voice coil and has been developed to offer low harmonic distortion, especially in the critical midband. The paper cone and surround of the bass driver have been developed to provide the smoothest possible response.

The crossover network has been designed and built using close tolerance, professional grade components, perfectly blending the output from the two drive units. Matching the acoustic phase of both units through the crossover region ensures the widest possible coverage.

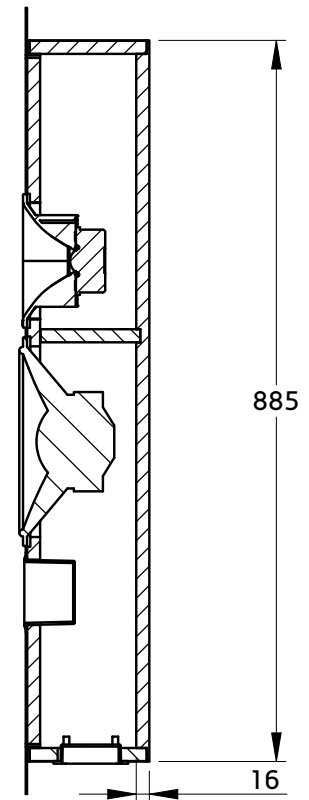
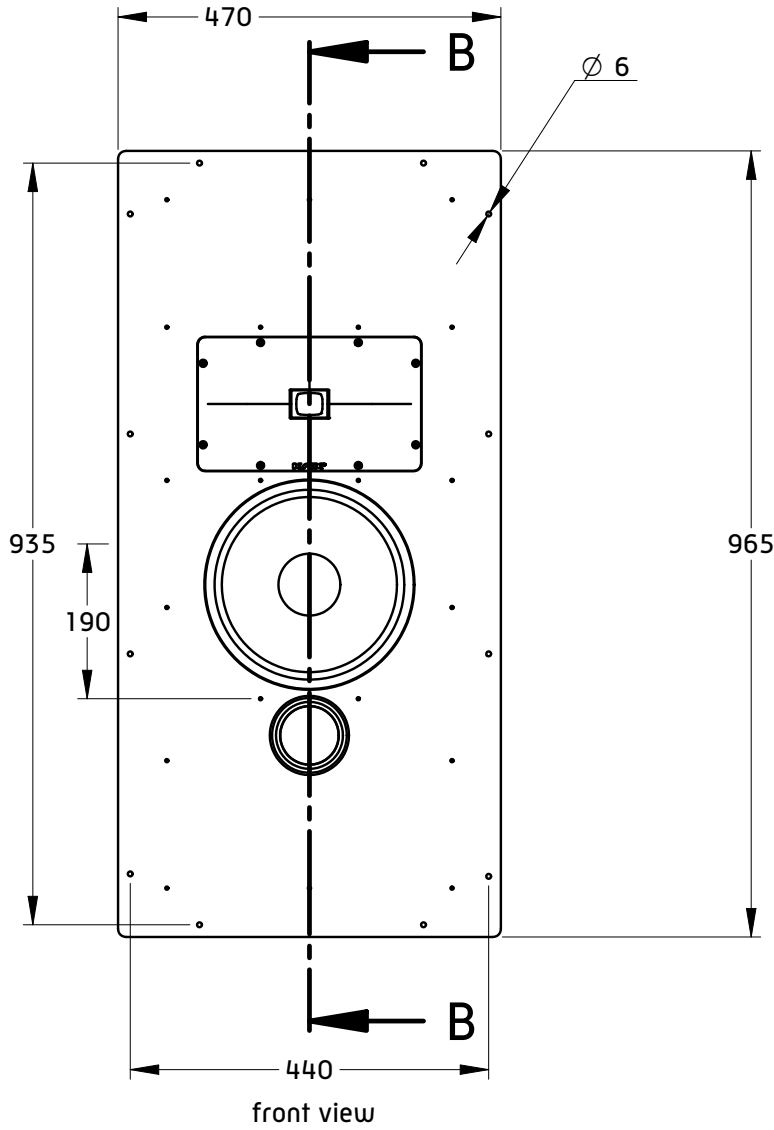
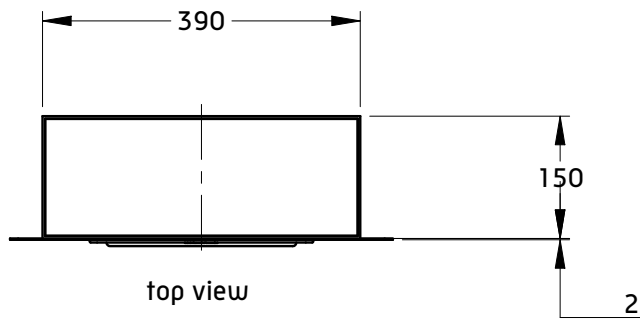
\*Black grille version available

Please consult your dealer for complementary speaker recommendations.

### specifications dramatix v2

Frequency Range	40Hz - 20kHz (-10dB)
Power Handling	50 - 250 Watts RMS recommended amplifier power
Sensitivity	95dB SPL - 2.83V at 1m
Impedance	8 Ohms
Configuration	10 inch 2-way
Crossover Point	1.8kHz
Bass Driver(s)	Single 255mm (10") paper cone driver. 50mm (2") voice coil wound on high powered former, ventilated magnet and copper shorting ring for low distortion.
High Frequency Driver	26mm (1") doped fabric dome with large roll surround. Ferro fluid cooled. Coupled to a Krix designed 90 x 40 short throw waveguide
Enclosure Type	Bass reflex, front vented
Dimensions	885mm high x 390mm wide x 150mm deep cabinet 965mm high x 470mm wide x 2mm thick faceplate 890mm high x 395mm wide recommended cutout
Weight	23kg





**SECTION B-B**

side view

